

**§ 95.208**

operating on the same or adjacent frequencies or to the reception of television transmissions on Channels 4 and 5. These frequencies are not afforded any protection from interference due to the operation of fixed and mobile stations in other services assigned to the same or adjacent frequencies.

[48 FR 24890, June 3, 1983. Redesignated at 49 FR 6098, Feb. 17, 1984, and amended at 50 FR 37857, Sept. 18, 1985; 52 FR 16263, May 4, 1987; 57 FR 40343, Sept. 3, 1992]

**§ 95.208 (R/C Rule 8) How high may I put my antenna?**

(a) *Antenna* means the radiating system (for transmitting, receiving or both) and the structure holding it up (tower, pole or mast). It also means everything else attached to the radiating system and the structure.

(b) If your antenna is mounted on a hand-held portable unit, none of the following limitations apply.

(c) If your antenna is installed at a fixed location, it (whether receiving, transmitting or both) must comply with either one of the following:

(1) The highest point must not be more than 6.10 meters (20 feet) higher than the highest point of the building or tree on which it is mounted; or

(2) The highest point must not be more than 18.3 meters (60 feet) above the ground.

(d) If your R/C station is located near an airport, and if you antenna structure is more than 6.1 meters (20 feet) high, you may have to obey additional restrictions. The highest point of your antenna must not exceed one meter above the airport elevation for every hundred meters of distance from the nearest point of the nearest airport runway. Differences in ground elevation between your antenna and the airport runway may complicate this formula. If your R/C station is near an airport, you may contact the nearest FCC field office for a worksheet to help you figure the maximum allowable height of your antenna. Consult part 17 of the FCC's Rules for more information.

WARNING: Installation and removal of R/C station antennas near powerlines is dan-

**47 CFR Ch. I (10-1-09 Edition)**

gerous. For your safety, follow the installation directions included with your antenna.

[48 FR 24890, June 3, 1983, as amended at 48 FR 41416, Sept. 15, 1983]

**§ 95.209 (R/C Rule 9) What equipment may I use at my R/C station?**

(a) Your R/C station may transmit only with:

(1) An FCC certificated R/C transmitter (certificated means the FCC has determined that certain radio equipment is capable of meeting recommended standards for operation); or

(2) A non-certificated R/C transmitter on Channels 26.995-27.255 MHz if it complies with the technical standards (see part 95, subpart E).

(3) Use of a transmitter outside of the band 26.955-27.255 MHz which is not certificated voids your authority to operate the station. Use of a transmitter in the band 26.995-27.255 MHz which does not comply with the technical standards voids your authority to operate the station.

(b) You may examine a list of certificated transmitters at any FCC field office.

(c) Your R/C station may transmit with a transmitter assembled from a kit.

(d) You must not make, or have made, any internal modification to a certificated transmitter. (See R/C Rule 22.) Any internal modification to a certificated transmitter cancels the certification, and use of such a transmitter voids your authority to operate the station.

[63 FR 36610, July 7, 1998]

**§ 95.210 (R/C Rule 10) How much power may I use?**

(a) Your R/C station transmitter power output must not exceed the following value under any conditions:

Channel	Transmitter power (carrier power) (watts)
27.255 MHz .....	25
26.995-27.195 MHz .....	4
72-76 MHz .....	0.75

(b) Use of a transmitter which has power output in excess of that authorized voids your authority to operate the station.

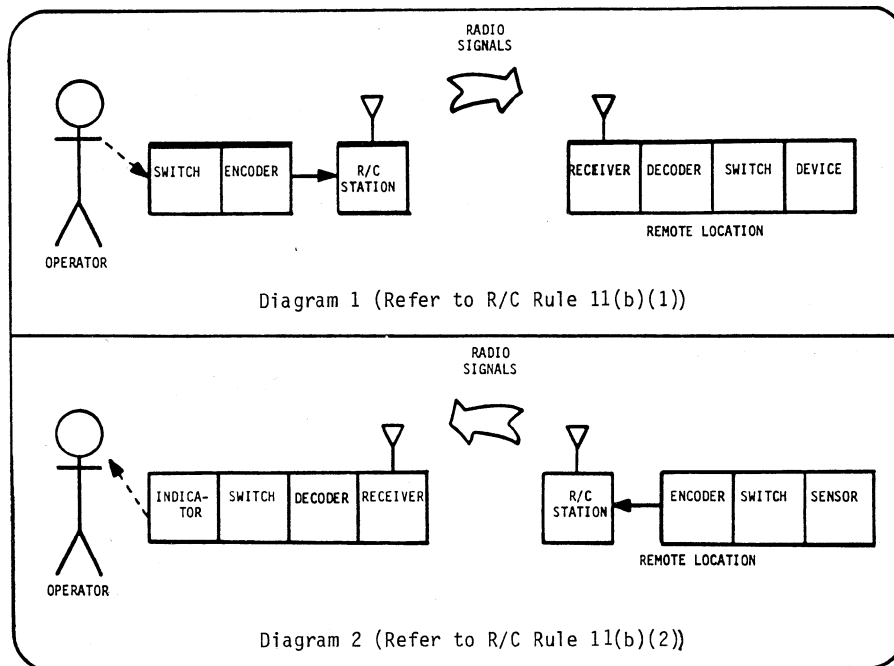
**§ 95.211 (R/C Rule 11) What communications may be transmitted?**

(a) You may only use your R/C station to transmit one-way communications. (One-way communications are transmissions which are not intended to establish communications with another station.)

(b) You may only use your R/C station for the following purposes:

(1) The operator turns on and/or off a device at a remote location (Refer to Diagram 1); or

(2) A sensor at a remote location turns on and/off an indicating device for the operator. (Refer to Diagram 2). Only Channels 26.995 to 27.255 MHz (see R/C Rule 7, §95.207(a)(1)) may be used for this purpose. (A remote location means a place distant from the operator.)



(c) Your R/C station may transmit any appropriate non-voice emission.

[48 FR 24890, June 3, 1983, as amended at 50 FR 37857, Sept. 18, 1985; 57 FR 40343, Sept. 3, 1992]

**§ 95.212 (R/C Rule 12) What communications are prohibited?**

You must not use an R/C station—

(a) In connection with any activity which is against federal, state or local law;

(b) To transmit any message other than for operation of devices at remote locations (no voice, telegraphy, etc.);

(c) To intentionally interfere with another station's transmissions;

(d) To operate another R/C transmitter by remote control (See R/C Rule 17, §95.217); or

(e) To transmit two-way communications.

(f) To transmit data. Tone or other signal encoding, however, is not considered to be data when only used either